

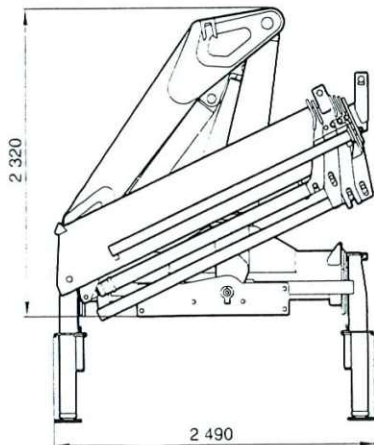


www.gruasindustrialesperez.com.mx

Technical Data	HIAB 300-2	HIAB 300-3	HIAB 300-4	HIAB 300-5
Hydraulic outreach, standard	7.7 m	9.8 m	11.6 m	13.5 m
Outreach/lifting capacity, standard	2.1 m/12 000 kg * 4.2 m/ 7 000 kg 4.4 m/ 6 700 kg 6.0 m/ 4 900 kg 7.6 m/ 3 900 kg	2.1 m/12 000 kg ^{*)} 4.2 m/ 6 800 kg ^{*)} 4.7 m/ 6 100 kg 6.3 m/ 4 500 kg 7.9 m/ 3 500 kg 9.7 m/ 2 850 kg	2.1 m/12 000 kg ^{**)} 4.2 m/ 6 600 kg ^{**)} 4.7 m/ 6 000 kg 6.3 m/ 4 350 kg 7.9 m/ 3 350 kg 9.7 m/ 2 650 kg 11.5 m/ 2 200 kg	2.1 m/12 000 kg ^{*)} 4.2 m/ 6 500 kg ^{**)} 4.7 m/ 5 900 kg 6.3 m/ 4 250 kg 7.9 m/ 3 200 kg 9.7 m/ 2 500 kg 11.5 m/ 2 050 kg 13.3 m/ 1 760 kg
Outreach/lifting capacity, with manual boom extensions	9.7 m/2 900 kg 11.4 m/2 300 kg 13.3 m/1 900 kg 15.2 m/1 580 kg 17.1 m/1 320 kg 19.0 m/1 120 kg 21.0 m/ 870 kg 22.9 m/ 670 kg	11.5 m/2 250 kg 13.3 m/1 860 kg 15.2 m/1 540 kg 17.2 m/1 300 kg 19.1 m/1 100 kg 21.0 m/ 870 kg 22.9 m/ 670 kg	13.3 m/1 820 kg 15.2 m/1 500 kg 17.2 m/1 260 kg 19.1 m/1 060 kg 21.0 m/ 870 kg 22.9 m/ 670 kg	15.2 m/1 460 kg 17.2 m/1 220 kg 19.1 m/1 020 kg 21.0 m/ 870 kg 22.9 m/ 670 kg
Rec. oil flow	50 l/min	50 l/min	50 l/min	50 l/min
Slewing angle	400°	400°	400°	400°
Height in folded position	2.3 m	2.3 m	2.3 m	2.3 m
Weight in standard version with 4.7 m outrigger and support legs	3 220 kg	3 490 kg	3 700 kg	3 880 kg
Weight with top-seat controls, 4.7 m outrigger and support legs	3 410 kg	3 680 kg	3 890 kg	4 070 kg

*) Special hook in inner hook attachment

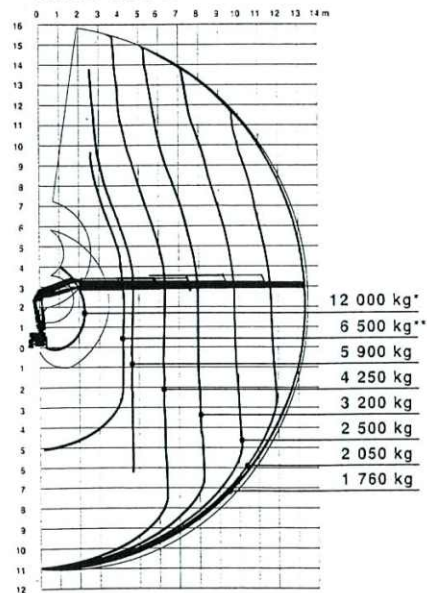
**) Hook on extension 2



DIN 15018 B3. The HIAB 300 has been built to meet the highest standards of safety, and strength calculations have been carried out in accordance with the German DIN norm 15018, crane group B 3. In Sweden the HIAB 300 has been type-approved by Swedish Plant Inspectorate (SA) in accordance with the corresponding Swedish standard.

Note. Specifications are subject to change without notice. For complete and current details see our technical data folder. Also note some items that appear in this brochure may be optional and some applications may require the approval of local authorities.

HIAB 300-5



For more information about the HIAB 300, or any other HIAB crane, please write to the address below or contact your local HIAB distributor.



HUDIKSVALL • SWEDEN
The World's No.1 Selling Articulated Crane

Partek Cargotec Pte Ltd

2 Gul Street 4, Jurong,
Singapore 629234

Telephone : 65 8618600

Telefax : 65 8618601